

CONTROLS

ST4-150 II

4-speed switch for ceiling fans, surface housing, flush housing fitting option.



Installation in bespoke housing with knob, frame and cover plate of external system with 6 mm shaft.

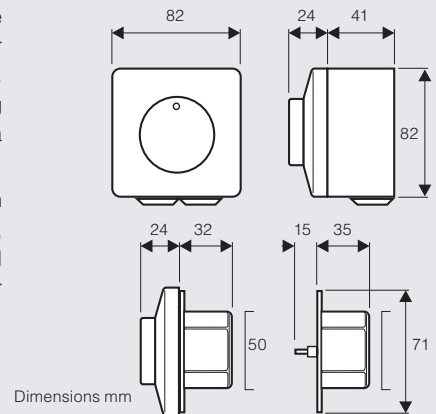


(Example with external system)

ST4-150 II: 4-speed rotary switch for hum free control of NON-ECO ceiling fans. The controller works using micro-capacitors. Protection to IP44. The supplied unit is suitable for surface mounting on standard wall outlets, with an option to fit in a standard flush housing.

The ST4-150 II can be integrated into any switch system with a 6 mm shaft, by using the rotary knob, the frame and the central cover plate of the external system. A separate dimmer switch is needed for ceiling fans with a light.

Maximum motor power: 100 watts.



Product	Code No.	Function	Usage
ST4-150 II	85215	4 speeds, OFF	for all NON-ECO ceiling fans

ST4-150/400

4-speed switch with light switch for ceiling fans, surface housing, flush housing fitting option. Installation in standard flush housing possible.



ST4-150/400: 4-speed rotary switch for hum free control of NON-ECO ceiling fans and an on/off switch for a light. The controller works using micro-capacitors. The supplied unit is suitable for surface mounting on standard wall outlets, with an option to fit in a standard flush housing.

Two separate wires (L_{motor} and L_{light}) are required between the switch and the fan for switching the motor and light. Maximum motor power: 100 watts. Maximum light power: 300 watts.

Dimensions see above (ST4-150 II)

Product	Code No.	Function	Usage
ST4-150/400	85205	4 speeds, OFF, light ON/OFF	for all NON-ECO ceiling fans

SCRR5

5-speed transformer for reversible ceiling fans of NORDIK series. Surface housing, illuminated ON/OFF switch, reverse switch.

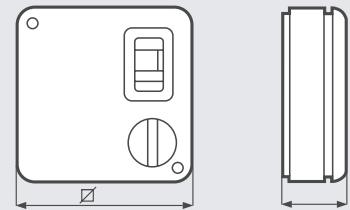


Type SCRR5L with additional light switch.

SCRR5L: 5-step transformer for hum free control of NON-ECO ceiling fans. With illuminated on/off switch, additional light and reversing switch.

All products use a copper-wound transformer. Supplied suitable for a surface mounting, flush installation requires a special flush housing kit (**SCB5, Code. No. 22483**).

Maximum motor power: 100 watts.



Product	Code.No.	Function	Usage
SCNR5	12955	5 speeds, ON/OFF	for all NON-ECO ceiling fans
SCNRL5	12957	5 speeds, ON/OFF, light ON/OFF	for all NON-ECO ceiling fans with integrated or additional light kit
SCRR5	12963	5 speeds, ON/OFF, motor reverse	for all reversible ceiling fans of NORDIK EVOLUTION series and TROPICAL IPX5
SCRR5L	12964	5 speeds, ON/OFF, motor reverse, light ON/OFF	for all reversible ceiling fans of NORDIK EVOLUTION series with light kit

REVERSIBLE

Caution: for each function (reverse, light) one additional wire between transformer and fan is needed.

FANINBOX

Smart Home KNX control for AC ceiling fans with up to 3 speeds as well as manual control of the outputs.



KNX control

FANINBOX: Ceiling fan control for controlling NON-ECO ceiling fans by means of KNX for top-hat rail mounting.

Up to 3 speed levels, manual control of outputs and status LED logic module with 10 functions included. Error indication in case of power failure.

Operating voltage 29VDC SELV, protection type IP20. Min. power 30 W, max. power 100 W. Electrical control unit, suitable for top-hat rail mounting. Installation in control cabinets on top-hat rail (EN 50022).

Application programme ETS5/ETS6 available.

Product	Code No.	Function	Usage
FANINBOX	85350	up to 3 speeds, OFF	for all NON-ECO ceiling fans

1-10V Potentiometer

NEW



POT-R 0-10V

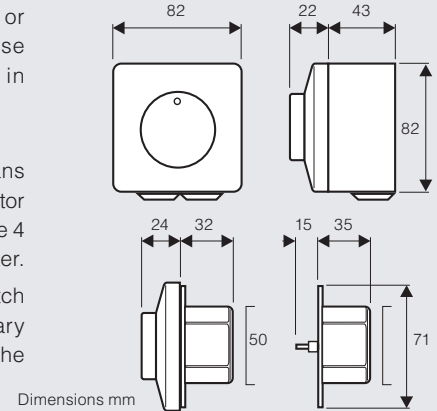
Wall potentiometer for speed control of motors and dimming of lights, each with 0-10V interface.

POT-R 0-10V: 10kΩ potentiometer for flush or surface mounting. Switching forward/reverse by pressing the rotary knob. Installation in standard flush housing possible.

Housing colour white, similar to RAL 9003.

Suitable for controlling CasaFan ECO ceiling fans with 0-10V interface. For speed control of the motor 3 wires are needed, when using forward/reverse 4 wires are needed between fan and potentiometer.

The POT-R 0-10V can be integrated into any switch system with a 6 mm shaft, by using the rotary knob, the frame and the central cover plate of the external system.



Product	Code No.	Function	Usage
POT-R 0-10V	86111	Continuous motor speed control	CasaFan ECO ceiling fans with 0-10V interface

5-Speed-Transformers

ETW

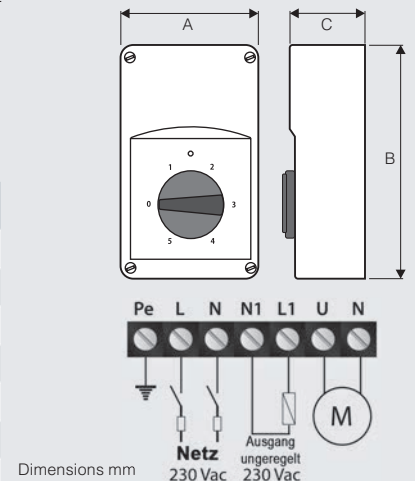
5-speed transformers for control of one or several ceiling fans (up to 30 units with ETW 10.0).



IP54
Dust protection
insensitive to dust,
dirt and splash water

ETW: 5-speed transformers for hum free control of several NON-ECO ceiling fans. Industrial housing, colour light grey RAL 7035, protection class IP54, (0-80-110-140-170/190-230 V), control lamp, max. ambient temperature 35 °C.

Product	Code No.	Amp. (max.)	A	B	C
ETW 1.0	892032	1.0	84	160	88
ETW 1.5	892021	1.5	115	205	100
ETW 2.2	892022	2.2	115	205	100
ETW 3.5	892033	3.5	170	255	140
ETW 5.0	892018	5.0	170	255	140
ETW 7.5	892019	7.5	100	305	140
ETW 10.0	892038	10.0	300	325	185



7-Speed-Transformers for Cabinet Installation

ETISW

7-speed transformers for cabinet installation, operable by rotary switch.



Rotary switch for transformers,
Code No. 892128



ETISW 5.0: 7-speed transformers for hum free control of several ceiling fans for cabinet installation, protection class IP20, (0-80-100-120-150-170-190-230 V), max. ambient temperature 35 °C. Suitable **rotary switch, Code No. 892128**.

Product	Code No.	Amp. (max.)	A	B	C
ETISW 1.5	892129	1.5	84	70	90
ETISW 2.5	892130	2.5	84	87	90
ETISW 3.5	892127	3.5	108	90	112
ETISW 5.0	892131	5.0	108	100	112
Rotary switch	892128	13	-	-	-

