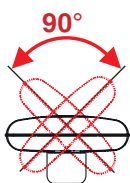


AIROS ECO SILENT

From super soft to super strong

NEW

CasaFan
VENTILATOREN



COMMERCIAL USE
Certified in accordance with Machinery Directive 2006/42/EC, part 1 for commercial use.



AIROS ECO SILENT #64501

Plastic housing black, protective grille black finished

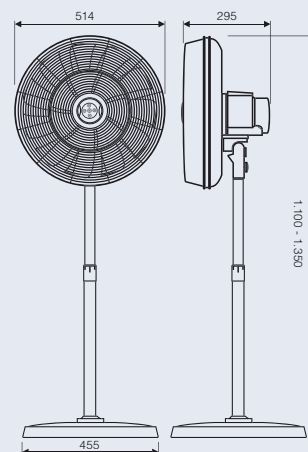
- High-performance stand fan with high-efficiency, brushless EC motor.
- Housing, protective grille and stand black, impeller plastic transparent.
- 6 finely graduated speed levels adjustable by means of pushbutton or remote control. An additional low level creates a super gentle breeze at only 13.2 dB(A)*.
- Magnetic holder for the remote control in the centre of the protective grille.
- Maximum air flow 10,023 m³/h.
- Vertical inclination (35°) adjustable.
- Electronic 90° oscillation, can be switched off.
- Heavy, tip-proof stand.
- Switch-off timer 1 to 9 hours.
- Innovative, patented impeller with 18 blades and 2 blade circles for lowest noise and highest air performance.
- This fan is approx. 20 dB(A) quieter than e.g. the industrial wind machine WM2 Eco with the same air performance!
- 2.5 m rubber sheathed cable, H05RN-F G 3 1.0 mm² with Schuko plug.



AIROS ECO SILENT #64501

Product	Code No.	Housing, Grille
AIROS ECO SILENT	64501	black

Technical details	Dimensions (mm)
Power motor (W)	4.2 - 90
Voltage (V/Hz)	220-240/~50
No. of speeds	6 + 1
Rpm min ⁻¹	850
Oscillation (°)	90
Weight (kg)	10,0
Blade Ø	442
Sound pressure (L _p -3m) dB(A)	35.6
Sound power (L _w) dB(A)	56.1
Airflow max. (m ³ /h)**	10,023
Service value (m ³ /min/W)	1.92



Ambient temperature -10° to <+40 °C ** measured in accordance IEC 60879
* Sound pressure L_p -3 m

Quieter than a whisper ...

An additional „Sleep“ level creates a gentle breeze and a barely perceptible noise - with 4.2 watts consumption only.

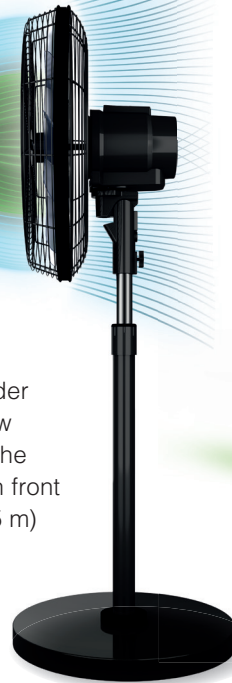


Versatile ...

6 perfectly matched speed levels for every need. From a gentle breeze up to a violent storm with more than 10,000 m³/h** - the Airos Eco Silent fits every situation!

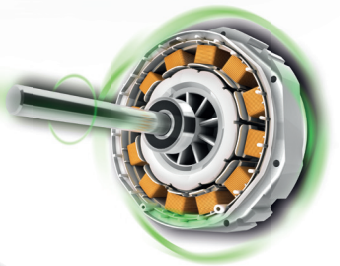
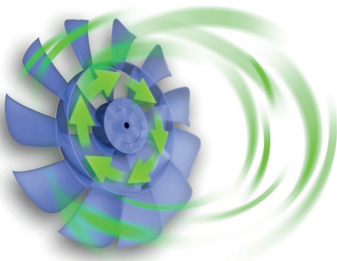
HighTech ...

Encapsulated, highly efficient EC precision motor with permanent magnet and integrated control electronics. The 3rd generation of brushless EC motor technology. Saves up to 50% energy compared to conventional AC motors.



Powerful ...

Newly developed, patented impeller for a wider airflow with a higher range. The slower airflow of the inner 7-blade impeller is merged with the faster airflow of the outer 11-blade impeller in front of the fan, achieving a longer reach (up to 25 m) with a uniform flow.



Flexible ...

Whether in the office or at home: the Airos Eco Silent can be used anywhere thanks to the perfectly coordinated levels. The power can be individually adjusted to suit your needs!

