

# Nordik TROPICAL IPX5

**IPX5**  
**Splash proof protection**  
 insensitive to water,  
 humidity, dust and dirt

**Nordik TROPICAL**  
**140 IPX5 #61742**

**15 YEARS**  
 LIMITED MOTOR  
**WARRANTY**



## COMMERCIAL USE

Approved according Machinery  
 Directive 2006/42/EC Part 1  
 for commercial use

- IPX5 splash protection according EN 60529:1997+ A1:2000.
- Balanced motor and blades.
- Motor and blades finished with a scratchproof polyester paint.
- Blades, downrod and motor shaft made entirely from galvanised, rust-proof steel.
- Casing in impact-resistant, PP plastic resin with anti-UV, anti-yellowing treatment.
- Forward/reverse selectable.
- Installation only on straight ceilings.

### Options:

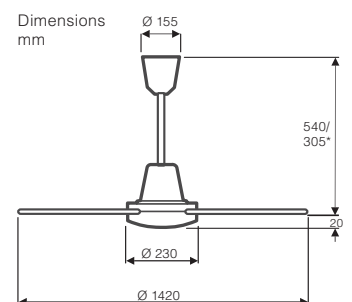
- Optional wall control available (page 132-134).  
*Always order control unit separately.*
- Longer downrods for high ceilings available (page 144).

## Nordik TROPICAL IPX5

Product	Code No.	Housing Finish	Blade finish
140 IPX5	61742	Light grey	Light grey

<sup>1</sup> Always order control unit separately!

No. of blades	3
Power motor (W)	24 - 74
Voltage (V/Hz)	220-240/50
Size Ø (cm/")	142/56
No. of speeds	1 (4 - 5) <sup>1</sup>
Rev. max. (RPM)	231
Weight (kg)	6.1



\* shows installation with shortened downrod