

**TELENORDIK 5TR**

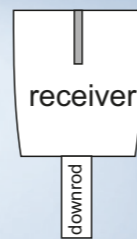
Remote control for Nordik Evolution ceiling fan. Function: 5 speeds, light ON/OFF, sleep timer, fan reverse.



**REVERSIBLE**

**TELENORDIK 5TR:** Remote control **ONLY** for ceiling fans Nordik Evolution series (page 76). Data transmission via infrared light. Effective range about 13 metres. The receiving unit is placed inside the canopy of the ceiling fan. Installation at sloped ceilings not possible.

Beside the 5 speed motor control and the reverse function Telenordik 5TR has got a sleep timer, which allows the fan working for one hour at selected speed and direction. The remote control switches the optional light kit ON/OFF. The handpiece comes with a wall bracket. Motor max. 100 W, light max. 300 W.



Product	Code No.	Colour Handpiece	Colour Canopy	Function Motor	Function Light
TELENORDIK 5TR	22386	Black	White/black	5 speeds/OFF	ON/OFF

**TELENORDIK 5T**

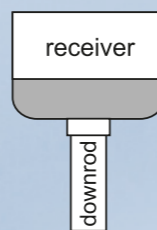
Remote control for Nordik Design 1S and International plus ceiling fans. Function: 5 speeds, light ON/OFF, sleep timer.



**5 SPEEDS**

**TELENORDIK 5T:** Remote control for ceiling fans of Nordik Design 1S (page 77) and I plus (page 80) series. Data transmission via infrared light. Effective range about 13 metres. The receiving unit replaces the ceiling fan canopy. Installation at sloped ceilings not possible.

Beside the 5 speed motor control Telenordik 5T has got a sleep timer, which allows the fan working for one hour at selected speed and direction. The remote control switches the optional light kit ON/OFF. The handpiece comes with a wall bracket. Motor max. 100 W, light max. 300 W.



Product	Code No.	Colour Handpiece	Colour Canopy	Function Motor	Function Light
TELENORDIK 5T	22387	Black	White/black	5 speeds/OFF	ON/OFF

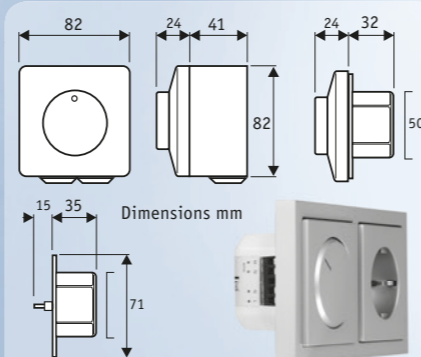


**ST4-150 II, #85215**

4-position switch, IP44, for ceiling fans. surface housing, flush housing fitting opt.

**ST4-150 II:** 4-position rotary switch for hum free control of ceiling fans. The controller works using micro-capacitors. Protection to IP44. The supplied unit is suitable for surface mounting on standard wall outlets, with an option to fit in a standard flush housing. To special order the ST4-150 II can be integrated into any switch system with a 6 mm shaft, using the rotary knob, the frame and the central cover plate of the external system. A separate dimmer switch is needed for ceiling fans with a light. Maximum motor power: 100 watts.

Product	Code No.	Function
ST4-150 II	85215	4 steps/OFF



ST4-150 II, #85215 installation in bespoke housing with knob, frame and cover plate of external system with 6 mm shaft.

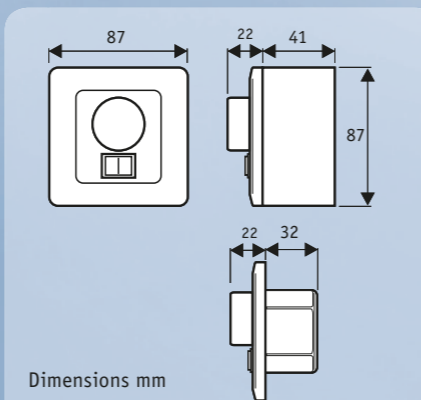


**ST4-150/400, #85205**

4-position switch for ceiling fans, surface housing, flush housing fitting option.

**ST4-150/400:** 4-position rotary switch for hum free control of ceiling fans and an on/off switch for a light. The controller works using micro-capacitors. The supplied unit is suitable for surface mounting on standard wall outlets, with an option to fit in a standard flush housing. Two separate (L) phases are required for the motor and light circuits. Maximum motor power: 100 watts. Maximum light power: 300 watts.

Product	Code No.	Function
ST4-150/400	85205	4 steps/OFF, light ON/OFF



Dimensions mm



**SCRR5 #12963**

5-speed transformer for reversible ceiling fans of NORDIK series. Surface housing, illuminated ON/OFF switch, reverse switch. Type SCRR5L with additional light switch. Caution: for each function (reverse, light) one additional wire between transformer and fan is needed.

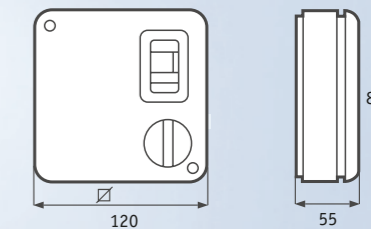
**SCNR5:** 5-step transformer for hum free control of ceiling fans. With illuminated ON/OFF switch.

**SCNRL5:** with additional switch ON/OFF for light kit.

**SCRR5:** with additional reverse switch.

**SCRR5L:** with additional light switch ON/OFF and reverse switch.

The transformer uses a copper-wound transformer. Supplied suitable for a surface mounting, flush installation requires a special flush housing kit (SCB5, Part No. 22483). Motor up to 100 W.



Dimensions mm

Product	Code No.	Function	Usage
SCNR5	12955	5 speeds, ON/OFF	for all NON-ECO ceiling fans
SCNRL5	12957	5 speeds, ON/OFF, light ON/OFF	for all NON-ECO ceiling fans with integrated or additional light kit
SCRR5	12963	5 speeds, ON/OFF motor reverse	for all reversible ceiling fans of Nordik Evolution series and Tropical IPX5
SCRR5L	12964	5 speeds, ON/OFF, motor reverse, light ON/OFF	for all reversible ceiling fans of Nordik Evolution series with light kit

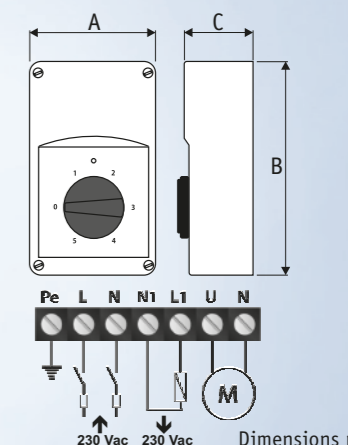
**5-Speed-Transformers**



**ETW:** 5-speed transformers for hum free control of one or several ceiling fans (up to 30 units with ETW 10.0).

5-speed transformers for hum free control of several NON-Eco ceiling fans. Industrial housing, colour light grey RAL 7035, protection class IP54, (0-80-110-140-170/190-230 V), control lamp, max. ambient temperature 35° C.

Product	Code No.	Amp. (max.)	A	B	C
ETW 1.0	892032	1.0	84	160	88
ETW 1.5	892021	1.5	115	205	100
ETW 2.2	892022	2.2	115	205	100
ETW 3.5	892033	3.5	170	255	140
ETW 5.0	892018	5.0	170	255	140
ETW 7.5	892019	7.5	100	305	140
ETW 10.0	892038	10.0	300	325	185



Dimensions mm

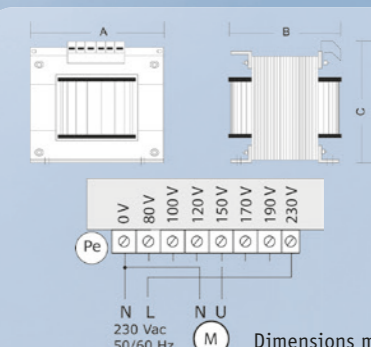
**7-Speed-Transformers for Cabinet Installation**



**ETISW:** 7-speed transformers for cabinet installation, operable by rotary switch.

7-speed transformers for hum free control of several ceiling fans for cabinet installation, protection class IP20, (0-80-100-120-150-170-190-230 V), max. ambient temperature 35° C. Suitable rotary switch #892128

Product	Code No.	Amp. (max.)	A	B	C
ETISW 1.5	892129	1.5	84	70	90
ETISW 2.5	892130	2.5	84	87	90
ETISW 3.5	892127	3.5	108	90	112
ETISW 5.0	892131	5.0	108	100	112
Rotary switch	892128	13	-	-	-



Dimensions mm